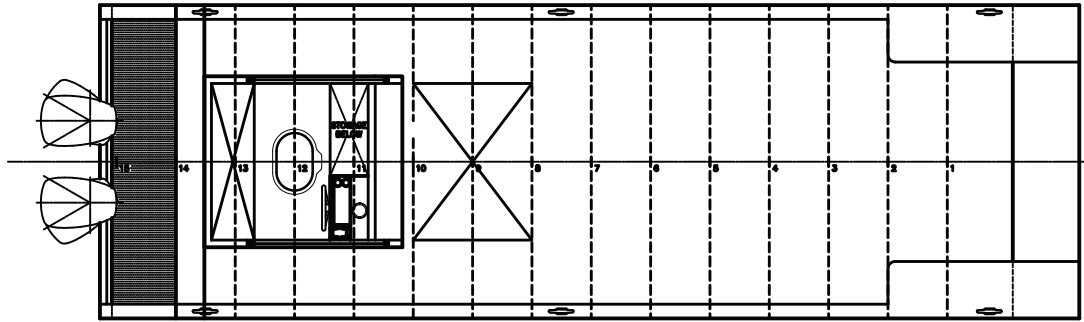
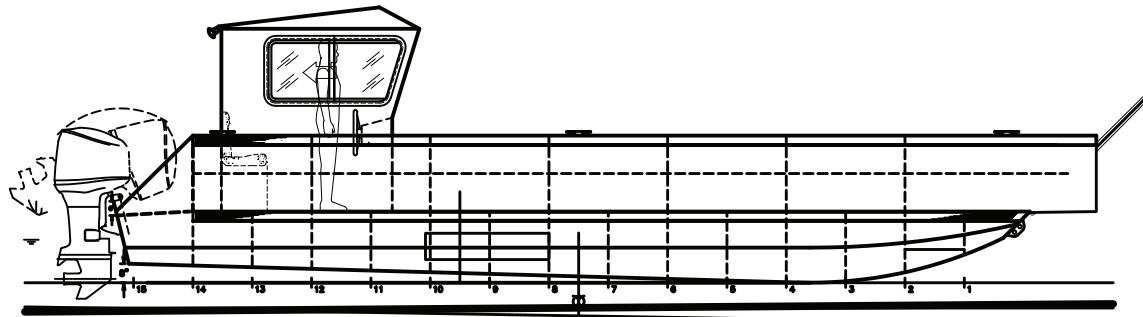


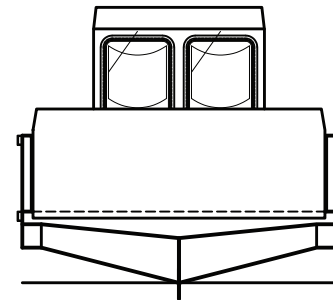
| NO. | DESCRIPTION | DATE | APPROVED |
|-----|-------------|------|----------|
|     |             |      |          |



**DECK PLAN**



**PROFILE**



**BOW VIEW**

|                                     |       |                                |           |
|-------------------------------------|-------|--------------------------------|-----------|
| <b>SEACRAFT DESIGN</b><br>LLC       |       | <b>KANTER MARINE</b>           |           |
| NAVAL ARCHITECTS & MARINE ENGINEERS |       | <b>33' X 11' LANDING BARGE</b> |           |
| P.O. BOX 834, STURBRIDGE, VT 05489  |       | <b>GENERAL ARRANGEMENT</b>     |           |
| DATE                                | REV   | NO. IN SET                     | SHEET NO. |
| 7/7/19                              | 1002B | 801-01                         | 1         |
| SCALE: 1/2" = 1'-0"                 |       | 1 OF 1                         |           |